



VINYL RAIL ORDER FORM

see back for
CURVED RAIL

CUSTOMER	JOB NAME:	P.O.	DATE:

GATES

QTY.	DESCRIPTION	PICKET	COLOR
	36" GATE	S T B	W K 2*
	48" GATE	S T B	W K 2
	60" GATE	S T B	W K 2
	CUSTOM SIZE GATE <small>Describe in misc. instructions.</small>	S T B	W K 2
	HARDWARE COLOR <small>Latch & 2 hinges included on all gates</small>		W B

*Indicate **TWO TONE** style in misc. instr.

GATE HARDWARE

QTY.	DESCRIPTION	COLOR
	2 REPLACEMENT HINGES	W B
	REPLACEMENT LATCH	W B
	DBL GATE DROP BOLT LOCK	W B
	POOL LATCH	W B

RAIL ACCESSORIES

QTY.	DESCRIPTION	COLOR
	YORK LEVEL RAIL BRACKET	W K
	YORK STAIR RAIL	W K
	COLUMN ADAPTER	W K S F
	CHARELSTON LEVEL RAIL BRACKET	W K
	CHARELSTON STAIR RAIL BRACKET	W K
	DECPRATIVE CAP RAIL BRACKET	W K
	LEVEL ADAPTER - HORIZONTAL SWIVEL ‡	W K
	STAIR ADAPTER - VERTICAL SWIVEL +	W K
	ANGLE ADAPTER	W K 22.5° 45°
	ADJUSTABLE FOOT BLOCK	W K

‡ York for bottom rail, Charleston for top and bottom rails

+For stair slopes greater than 41° - York 2 needed for bottom rail, Charleston 4 needed for top and bottom rails

LEVEL RAIL KITS

QTY.	DESCRIPTION	PICKET	COLOR
	CHARLESTON 4'	S T B	W K 2*
	CHARLESTON 6'	S T B	W K 2
	CHARLESTON 8'	S T B	W K 2
	CHARLESTON 10'	S T B	W K 2
	YORK 4'	S T B	W K 2
	YORK 6'	S T B	W K 2
	YORK 8'	S T B	W K 2

Describe custom sizes in misc. Instructions

* Indicate **TWO TONE** style in misc. instr.

STAIR RAIL KITS

QTY.	DESCRIPTION	PICKET	COLOR
	CHARLESTON 6'	S T B	W K 2*
	CHARLESTON 8'	S T B	W K 2
	YORK 6'	S T B	W K 2
	YORK 8'	S T B	W K 2

Describe custom sizes and degree range in misc. instructions * Indicate **TWO TONE** style in misc. instr.

POSTS AND TOWERS

QTY.	TYPE	DESCRIPTION	COLOR
	38" 44" 108" 120"	4" X 4" POST	W K
	38" 44" 108" 120"	4" X 4" POST	W K
	48"	4" X 4" STAIR POST	W K
	48"	4" X 4" NEWEL POST	WHITE
	W C	POST TOWER	W K
	W C	NEWEL TOWER	N/A
	CLASSIC	STR. PORCH POST 5"X5"X108"	W K
	TRADITIONAL	STR. PORCH POST 4"X4"X104"	WHITE
	4" 6"	10' POST WRAP (4 pc.)	W K

POST CAPS & POST BASE TRIM

QTY.	DESCRIPTION	COLOR
	GOthic	W K
	DOMe	W K
	CLAssIC	W K
	PyRAMID	W K
	CLAssIC BASE	W K
	4 PC. ADJUSTABLE BASE TRIM (4-6½")	W K

PICKET ACCENTS for square balusters

QTY.	DESCRIPTION	COLOR
	ROYALE	W K
	FLORALE	W K
	BORDEAUX	W K
	SENTINALE	W K

CAP RAIL FOR CHARLESTON

QTY.	LENGTH	DESCRIPTION	COLOR
	4 6 8 10	CAP RAIL	W TAN
	NA	BRACKET	W TAN

LIGHTING & LIGHTING ACCESSORIES

List item numbers in misc instr

MISC. INSTRUCTIONS

TWO TONE

Khaki posts & rails / White pickets

White posts & rails / Khaki pickets

OF435 c 2/07 500 C

VINYL RAIL

LEVEL & STAIR RAIL KITS

S = SQUARE BALUSTER
 T = TURNED BALUSTER
 W = WHITE
 K = KHAKI
 2 = TWO TONE
 B = BLACK

POSTS, POST CAPS
 & ACCESSORIES

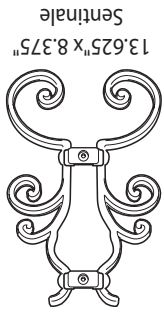
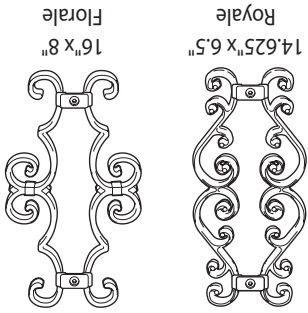
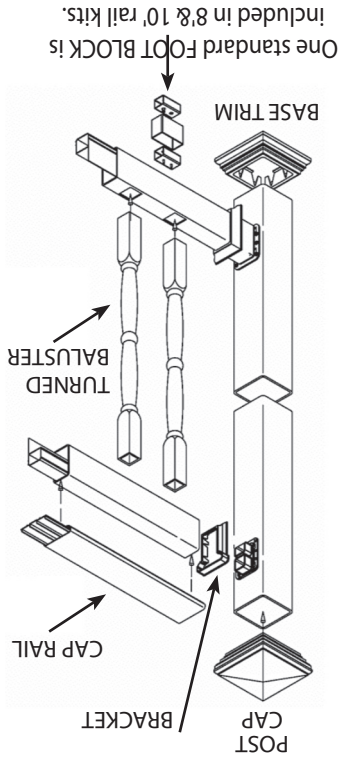
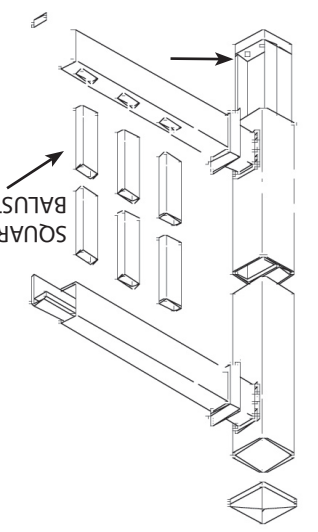
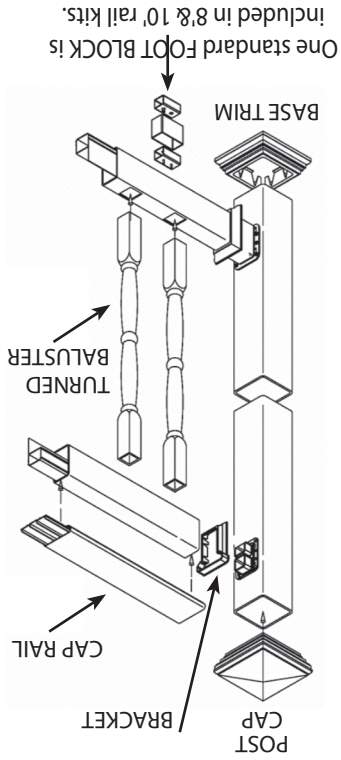
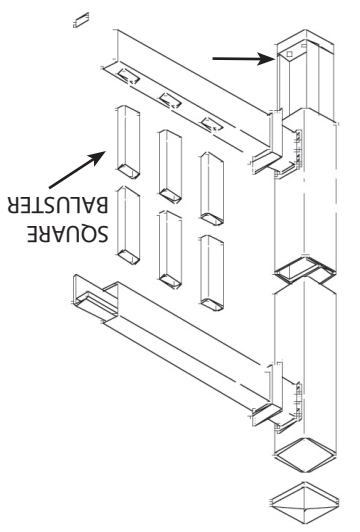
48 = 48" (STAIR POST)
 38 = 38"
 44 = 44" (COMMERCIAL)
 48 = 48" (STAIR POST)

CAP RAIL
 W = WHITE
 TAN = TAN

RAIL ACCESSORIES

22.5 = 22.5 DEGREE
 45 = 45 DEGREE
 S = SMOOTH
 F = FLUTED

POST AND TOWERS
 W = WOOD
 C = CONCRETE
 CO = COLONIAL
 TR = TRADITIONAL



PICKET ACCENTS For Classic Manor K77 & K82

CURVED RAIL

Two measurements are required to determine the inside radius of curved deck railing or fence. Please fill in A, B & C and fax both front and back of this form.

A Width of Bend:

Measure straight across from inside corners of the area where the bend will be placed: post to post, the edges of a deck, etc.

B Maximum Projection of Bend:

Measure in a straight line across the width, find the center of the width (1/2 of the width). Measure to the inside of the arc from the center of the width.

C Also provide the total number of sections needed within the bend.

